

GOODS TRANSPORTATION WITH REFRIGERATION IN ELECTRIC MODE

BENEFITS

A non-invasive and eco-friendly Plug-in Electric System that powers the Trailer's refrigeration unit in electric mode.

Fuel savings, reduction of CO₂ emissions and noise level can be monitored in real time with the digital platform "My AddVolt".

- Highest efficiency rate in the industry
- Enables day and night access to cities
- No diesel, no pollution and less noise from refrigeration unit
- The transportation costs reduction with usage of electric energy
- Easy to apply to all trailers with refrigeration units even as retrofit
- Perfect match with hybrid, LNG and all electric trucks

LESS 20 TONS CO₂ EMISSIONS PER YEAR PER VEHICLE



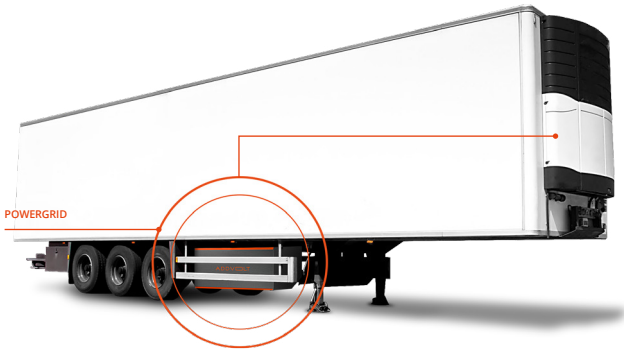
Management
System
ISO 9001:2015

www.tuv.com
ID 9108643886

+351 220 731 373

tech@addvolt.com

addvolt.com



SPECIFICATIONS | ADDL21 | ADDL24

Power rating: 14 kW | 18 kW

Operating Ambient Temperature: -20 to 40 °C

Compliance and Safety: CE and ECE R10

Battery Technology: Lithium Ion

Battery Lifetime: 4000 cycles (80% DOD to 80% of rated capacity)

Battery pack capacity: 21 kWh | 24 kWh

Charging: On-board charger, 400V AC 50 Hz

AC Installation Requirements: 3x400V AC 50 Hz, standard 5 pole 16/32 Amps CEE plug with RCD

Charging time: 2h 30min

Frame and Enclosure: Stainless Steel

Dimensions (L,W,H): 1258 x 587 x 578mm | 1433 x 587 x 578 mm

Operational noise level: <60 dB

System Weight: 359 kg | 401 kg

Warranty: 1 year up to 5 years

Options:

- Digital platform "My AddVolt"
- Electrical setup to connect an external axle generator

Compatible with: All branded trailer refrigeration units, equipped with three phase electrical stand-by motor

*According AddVolt conditions.

Please contact us.

AddVolt's non-invasive system
makes your refrigerated Trailer
greener and quieter!



Management
System
ISO 9001:2015

www.tuv.com
ID 9108643886

+351 220 731 373

tech@addvolt.com

addvolt.com